

PAIGALDUSJUHEND INSTALLATION INSTRUCTIONS

UKU Klaas/Peegel juhtpult UKU Glass/Mirror sauna controller

ET

UKU Klaas/Peegel juhtpult elektrikeristele kuni 18 kW 400 V 3N; 230 V 1N

Enne paigaldamist tee soovivale kohale seinas süvistus mõõtmetega 65 x 105 mm. Paigaldamise sammud:

- 1 Eemalda nupp ja klaasi kaitsekile.
- 2 Eemalda klaas (klaas on kinnitatud magnetitega).
- 3 Ühenda juhtmed (jälgige juhtmete nummerdust). NB! Loe UKU manuaali.
- 4 Kinnita pult seina. NB! Kinnitusvahendid valida vastavalt seina materjalile.
- 5 Aseta ettevaatlikult klaas puldi korpusele.
- 6 Paigalda nupp.

⚠ NB! Kui seinas, kuhu paigaldad klaaspuldi, on juhtiv materjal (näiteks metallist isolatsioon), mis võib kokku puutuda puldi tagakorpusel juhtmeid kinnitavate kruvidega, kata kruvipead isoleeriva teibiga, et vältida elektrilühist.

Leia kõige ajakohasem materjal meie kodulehelt www.huum.ee.

EN

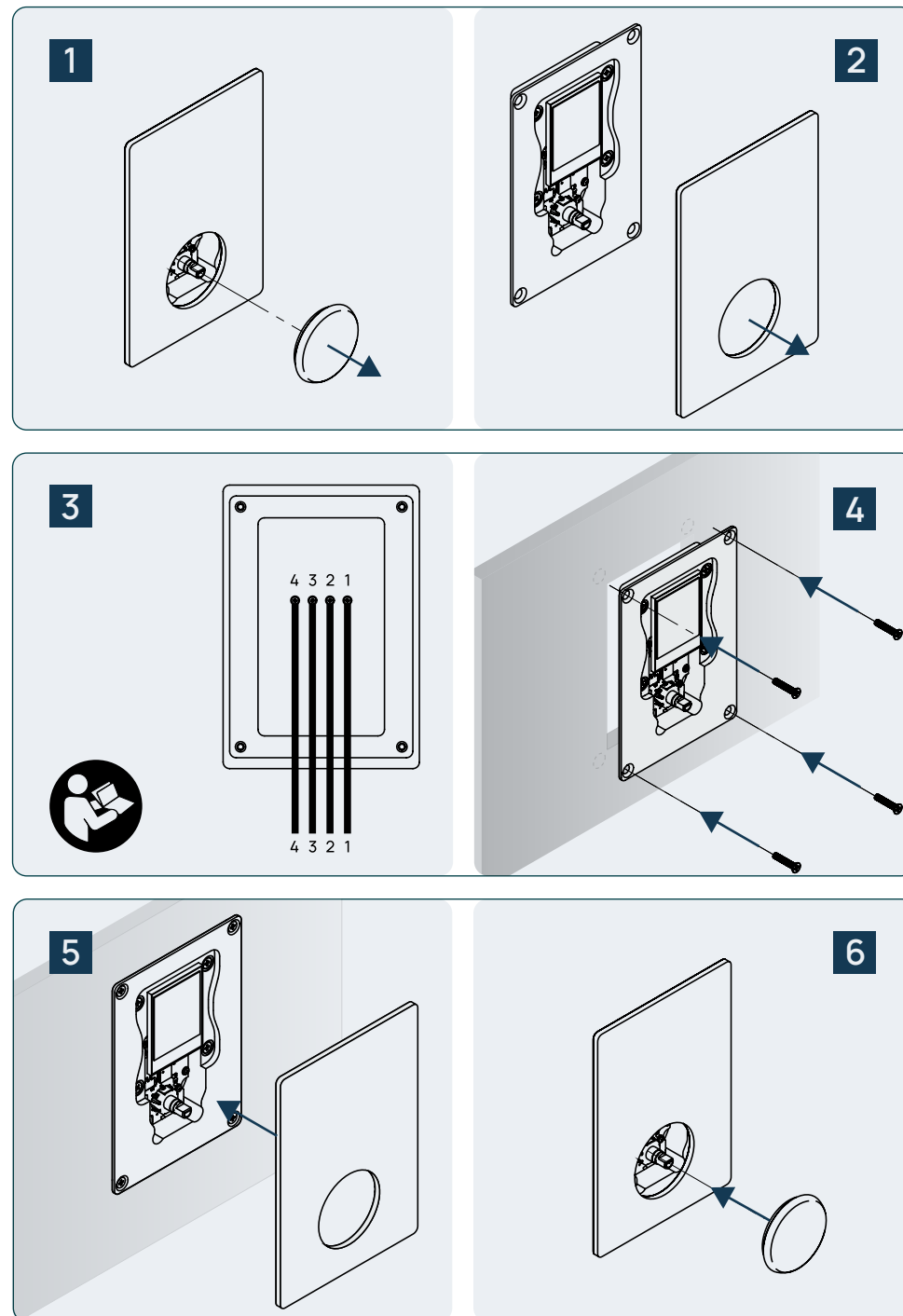
UKU Glass/Mirror control panel for heaters up to 18 kW 400 V 3N; 230 V 1N

Prior to installation make a recess in the required place in the wall with dimensions 65 x 105 mm. Installation steps:

- 1 Remove the knob and glass protective film.
- 2 Remove the glass (the glass is attached with magnets).
- 3 Connect the wires (follow the wire numbering). NB! Read the UKU manual.
- 4 Attach the remote control to the wall. NB! Choose fasteners according to the wall material.
- 5 Place the glass carefully on the remote control housing.
- 6 Install the knob.

⚠ NB! If the wall where you are installing the glass remote control has a conductive material (such as metal insulation) that may come in contact with the screws securing the wires on the back of the remote control, cover the screw heads with insulating tape to avoid short circuits.

Find the latest updates on our website www.huum.eu.



Vinkli 2, Tartu
51014, Estonia
+372 5666 7699
info@huum.eu

huum.eu
#huumsauna