
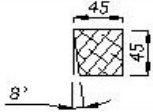



Installation drawings

HALDEN S 40

marking			length	pcs	
extra	WALL LOG 40x146		3406	1	
001.	WALL LOG 40x146		3406	2	
002.	WALL LOG 40x146		3206	2	
003.	WALL LOG 40x146	<i>includes 1 extra</i>	2280	33	
003A	WALL LOG 40x68		2280	2	
003B	WALL LOG 40x146		2280	1	
003C	WALL LOG 40x146		2280	2	
004C	WALL LOG 40x146		1900	2	
005.	WALL LOG 40x146		1194	14	
006C	WALL LOG 40x146		870	2	
007.	WALL LOG 40x146		350	14	
008.	WALL LOG 40x146		290	26	
	HAMMER BLOCK 40 MM			2	
AR-1	45x95 FLOOR FRAME		2876	1	
AR-2	45x95 FLOOR FRAME (CUTOUT FOR DRAINAGE)		2876	1	
AR-3	45x95 FLOOR FRAME (SPECIAL CROSS-SECTION)		1980	1	
AR-4	45x70 FLOOR FRAME		1980	1	
AR-5	45x95 FLOOR FRAME		1980	9	
TL-1	28x120 DECKING BOARD		800	18	
TL-2	28x120 DECKING BOARD		2070	1	
PL-1	28x120 FLOOR BOARD		1960	21	
SR-1	45x145 ROOF RAFTER		3406	2	
KL-1	29x120 ROOF BOARD		2668	34	

SL-1	STP 14x121 INTERNAL CEILING BOARD		2015	20	
TR-1	45x45 SUPPORT DETAIL FOR SL-1		2000	2	
					
SL-2	18X45 DISTANCE BOARD FOR SL-1		2000	4	
RL-2	45x45 ROOF EDGE SUPPORT		3406	2	
RL-1	18x95 ROOF EDGE BOARD		~3,5	2	
RL-1	18x95 ROOF EDGE BOARD		~2,8	2	
PP-1	18x45 FLOOR AND CEILING MOULDINGS		~2,1	8	
SR-4	18x45 MOULDING FOR OUTSIDE GAP		~2,1	2	
	WINDOW 845x1792			2	
	DOOR 690x1860			1	
UK-6	18x <u>40</u> DOOR SIDE PROFILE		1860	2	
	18x95 DOOR MOULDING extra		~2,4	2	
UK-1	18x95 DOOR MOULDING vertical		1890	2	
UK-2	18x95 DOOR MOULDING horizontal		920	1	
UK-3	18x <u>60</u> DOOR MOULDING horizontal		670	1	
AK-1	18x95 WINDOW MOULDING horizontal		1900	2	
AK-2	18x95 WINDOW MOULDING vertical		1877	4	
AK-3	18x95 WINDOW MOULDING horizontal		1650	2	
AK-4	18x <u>45</u> WINDOW MOULDING vertical, center		1752	2	
VS-1	GRID WALL 650x1776			1	
NP-1	70x70 CORNER POST		1912	1	
LM-1	BENCH MODULE UPPER, 600x1992			1	
LM-2	BENCH MODULE LOWER, 400x1992			1	
LM-3	OUTDOOR BENCH 500x800			1	
	BENCH SUPPORTS "HALDEN S"			1	
LT-1	45x45 VERTICAL BENCH SUPPORT, REGULATIVE		850	1	

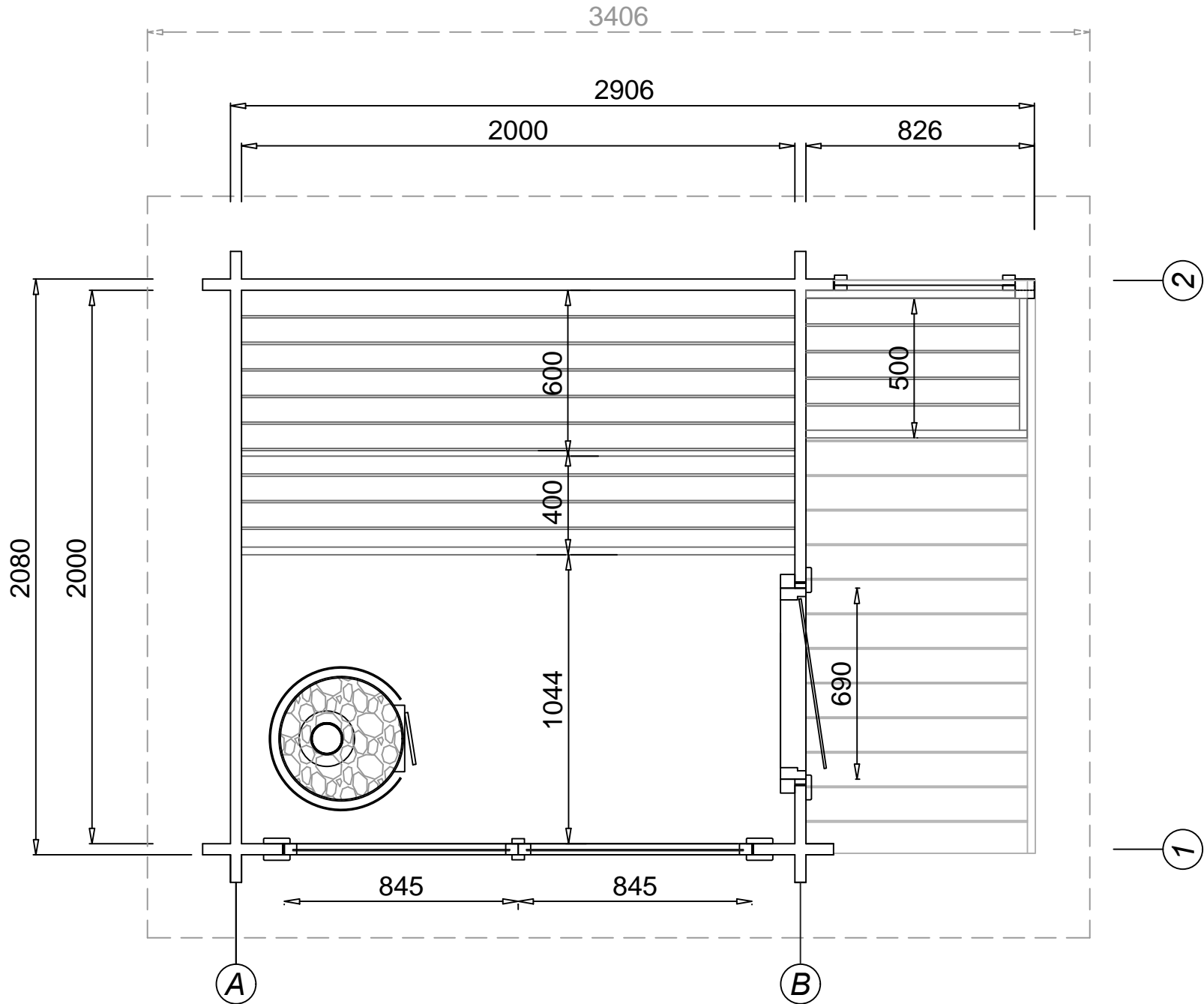
	28x95 EXTRA DETAIL BEHIND LM-3		756	1	
	VENTILATION LOUVER WOOD D100			2	
	VENTILATION GRID METAL D100			2	
	SPU CEILING INSULATION 30x600x1200			6	
	FOIL TAPE			1	
RN-1	WATER DRAINAGE GUTTER 2000 MM+			1	
	FLOOR SLOPE DETAIL 3 MM		1995	1	
	FLOOR SLOPE DETAIL 6 MM		1995	1	
	FLOOR SLOPE DETAIL 9 MM		1995	1	
	FLOOR SLOPE DETAIL 12 MM		1995	1	
	ROOF BASE LAYER		10 m2	1,5	
	ROOF SHINGLE (TOP LAYER)		10 m2	4	
	LAST ROW ROOF SHINGLE		3,5 m	4	
	SCREW 3,5x40 A2 FOR MOULDINGS			200	
	SCREW 4,2x55 A2 FOR ROOF EDGE BOARDS			200	
	SCREW 4,8x90 A2 FOR CONNECTION WALL CORNERS			300	
	SCREW 4,2x55 FOR FLOOR BOARDS			200	
	SCREW 4,5x70 ASSY FOR BENCH SUPPORTS AND ROOF SUPPORT			200	
	SCREW 5,0x90 ASSY FOR FLOOR FRAME AND WALL LOGS			200	
	SCREW 5,0x120 FOR WALL LOGS			50	
	SCREW 6x180 FOR WALL LOGS AND ROOF RAFTERS			50	
	NAIL 75 MM FOR ROOF BOARDS			~400	
	NAIL 1.4x40 INTERNAL CEILING BOARD			~350	
	NAIL FOR ROOF SHINGLES	10 m ² jaoks			
	SCREW 4,8x40 FOR METAL CORNER BRACKETS			10	
	METAL CORNER BRACKET FOR GRID WALL			3	
	WASHER M5 FOR CORNER BRACKET SCREWS			3	
	POST HEIGHT ADJUSTMENT FOR NP-1			1	

	OPTION: EXTRA WINDOW 540x1100 WITH MOULDINGS		1	
	YOU MUST CUT THE HOLE TO THE WALL FOR EXTRA WINDOW			

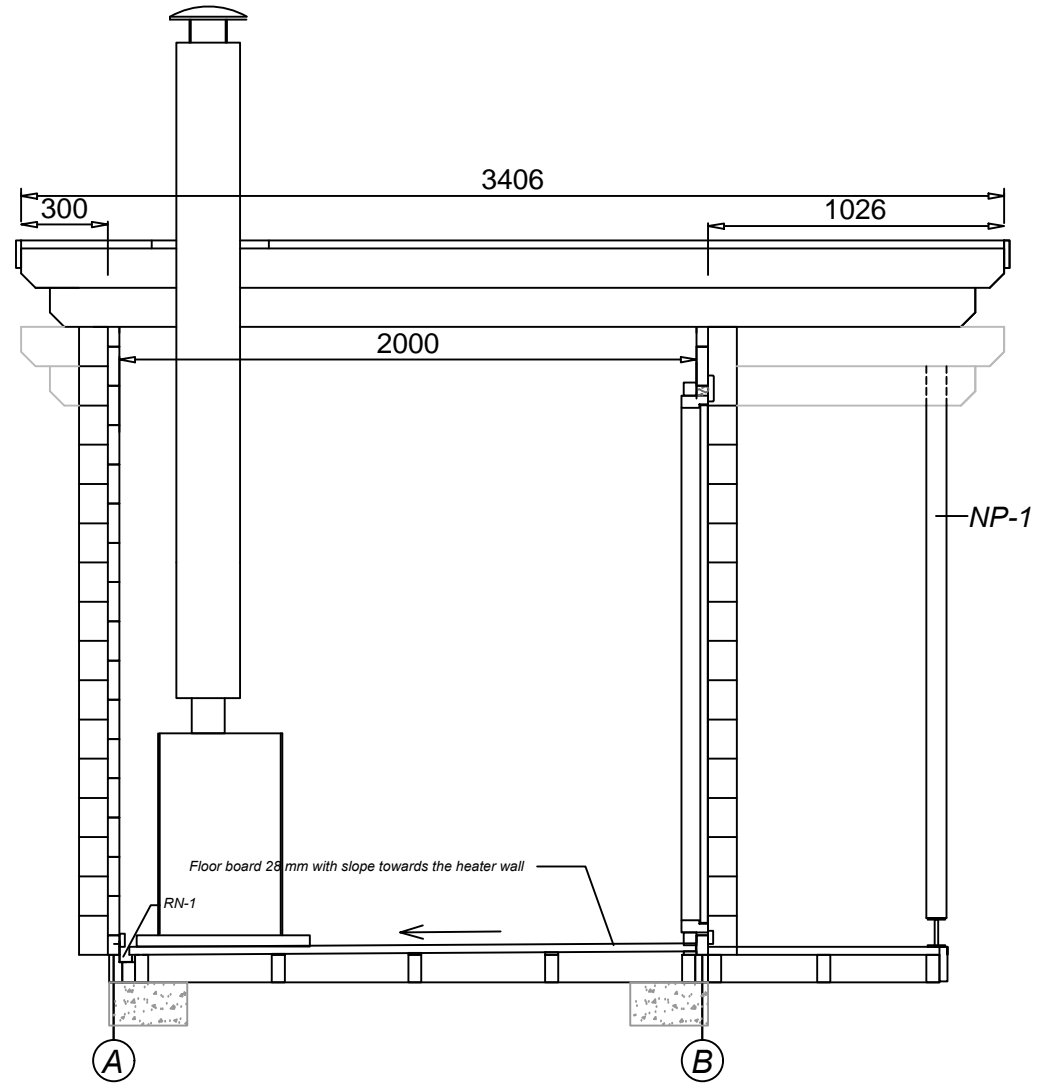
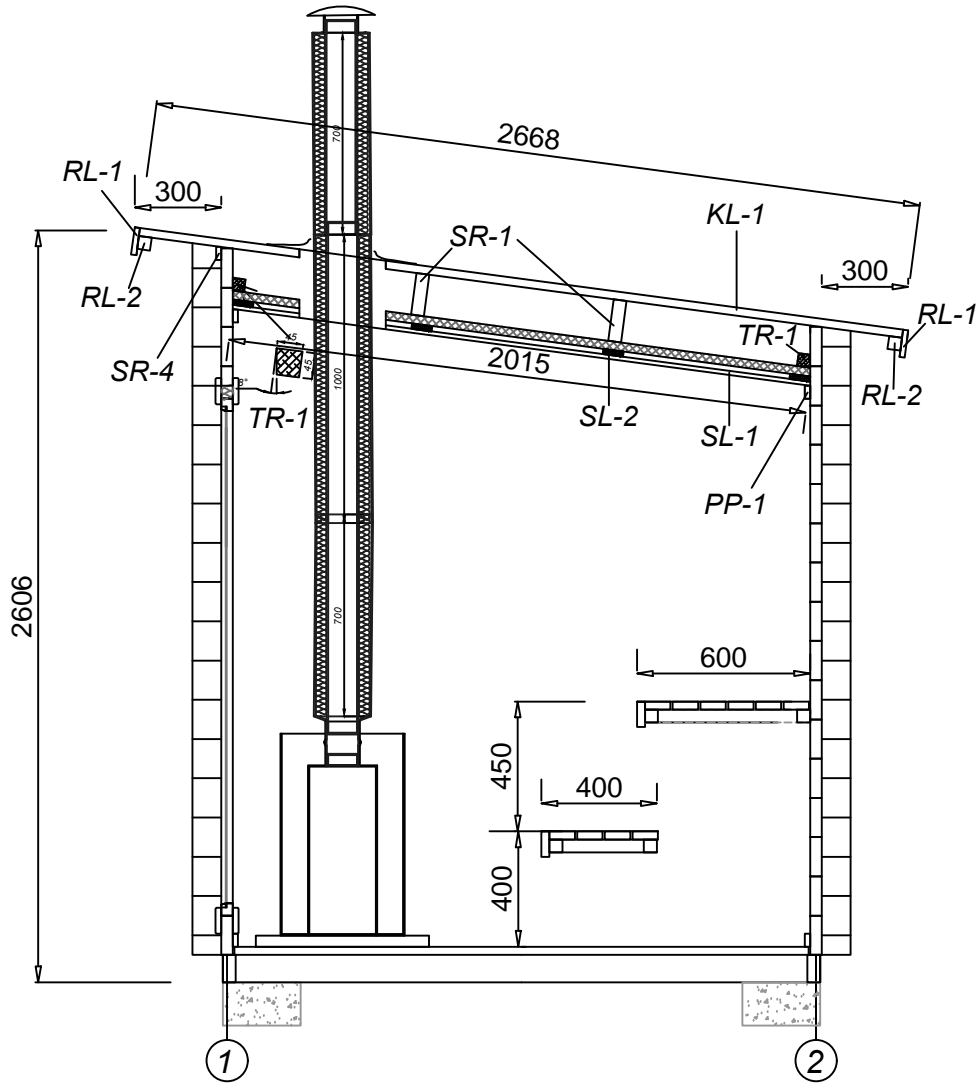
40x146 wall logs Halden S 40

	<i>extra</i>	1 pcs	
	001	2 pcs	
	002	2 pcs	
	003	33 pcs <i>(includes 1 extra)</i>	
	003A	2 pcs	
	003B	1 pcs	
	003C	2 pcs	
	004C	2 pcs	
	005	14 pcs	
	006C	2 pcs	
	007	14 pcs	
	008	26 pcs	

HALDEN S 40 - TOP VIEW

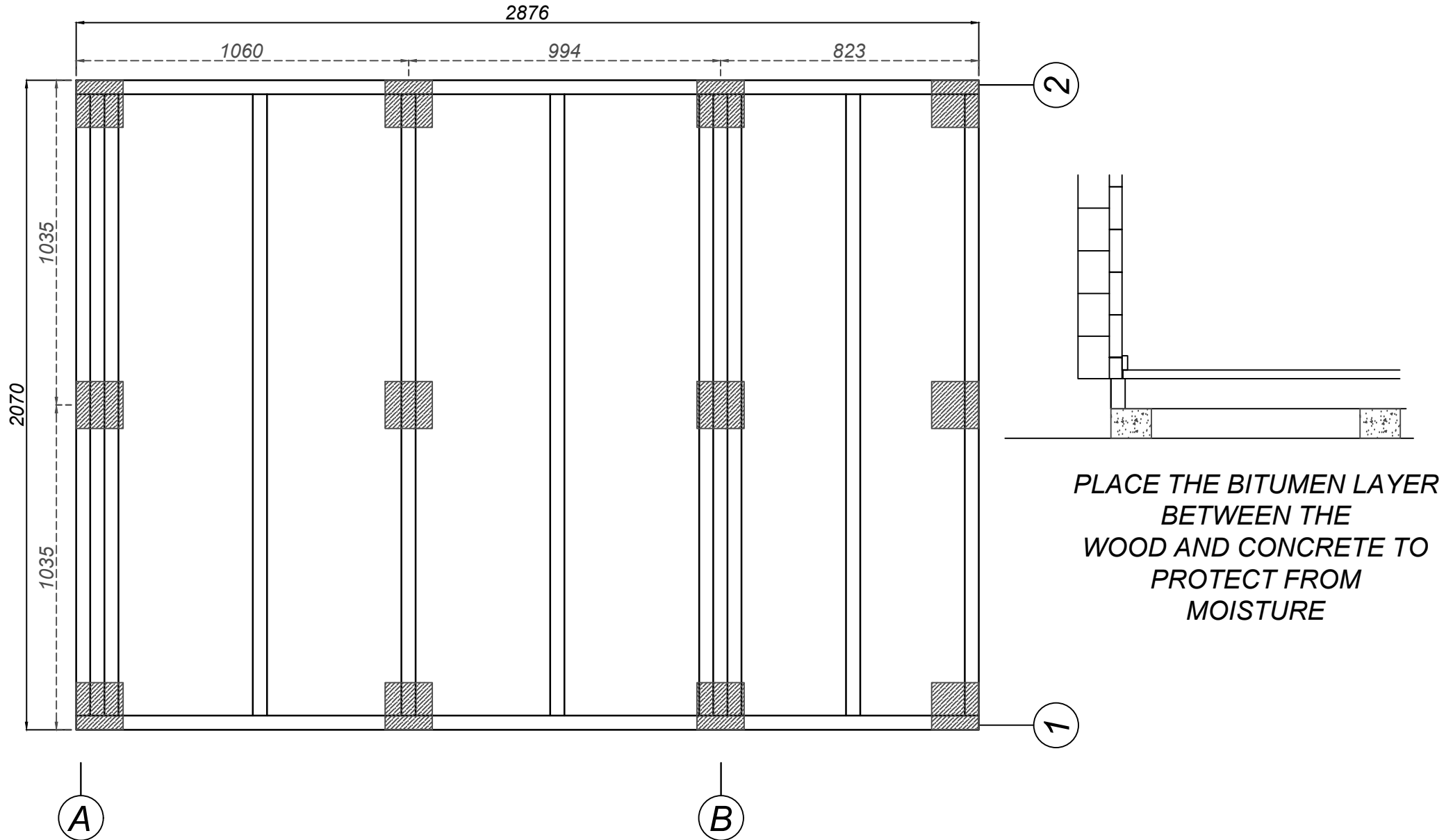


HALDEN S 40 - CROSS-SECTION



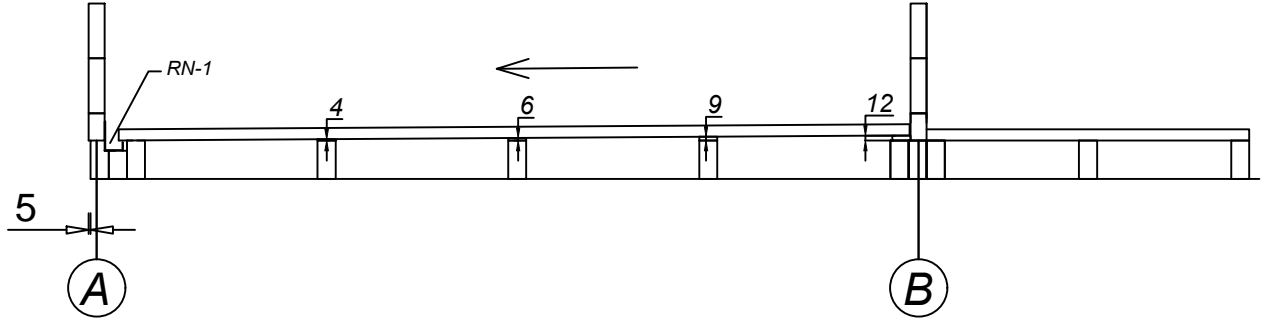
Halden S

BASEMENT POSITIONING

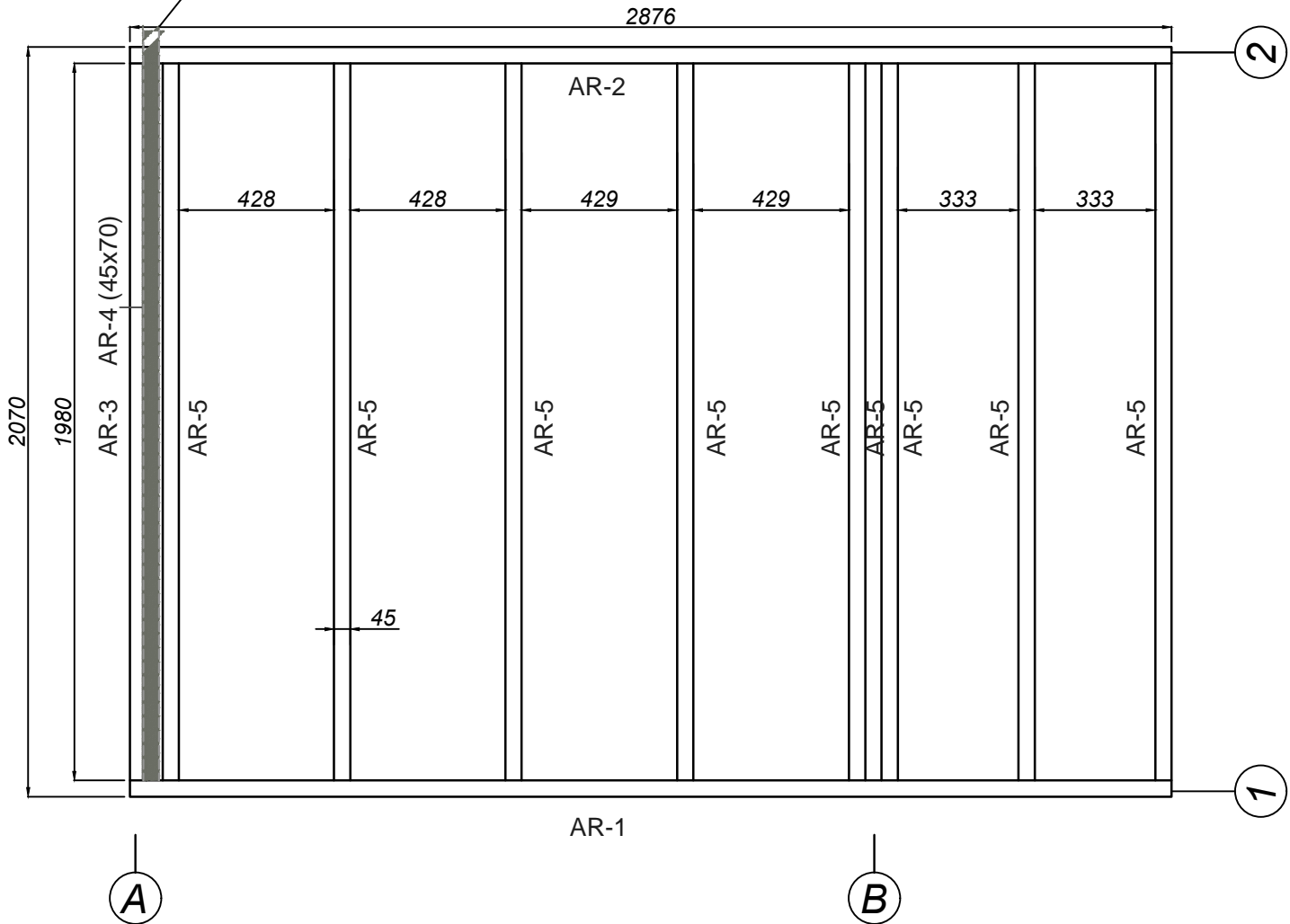
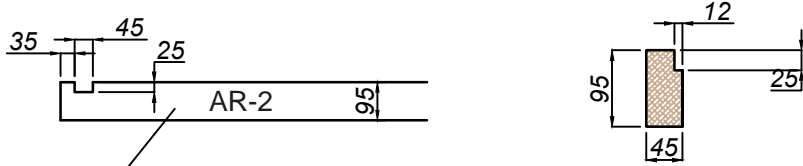


FLOOR FRAME 45x95

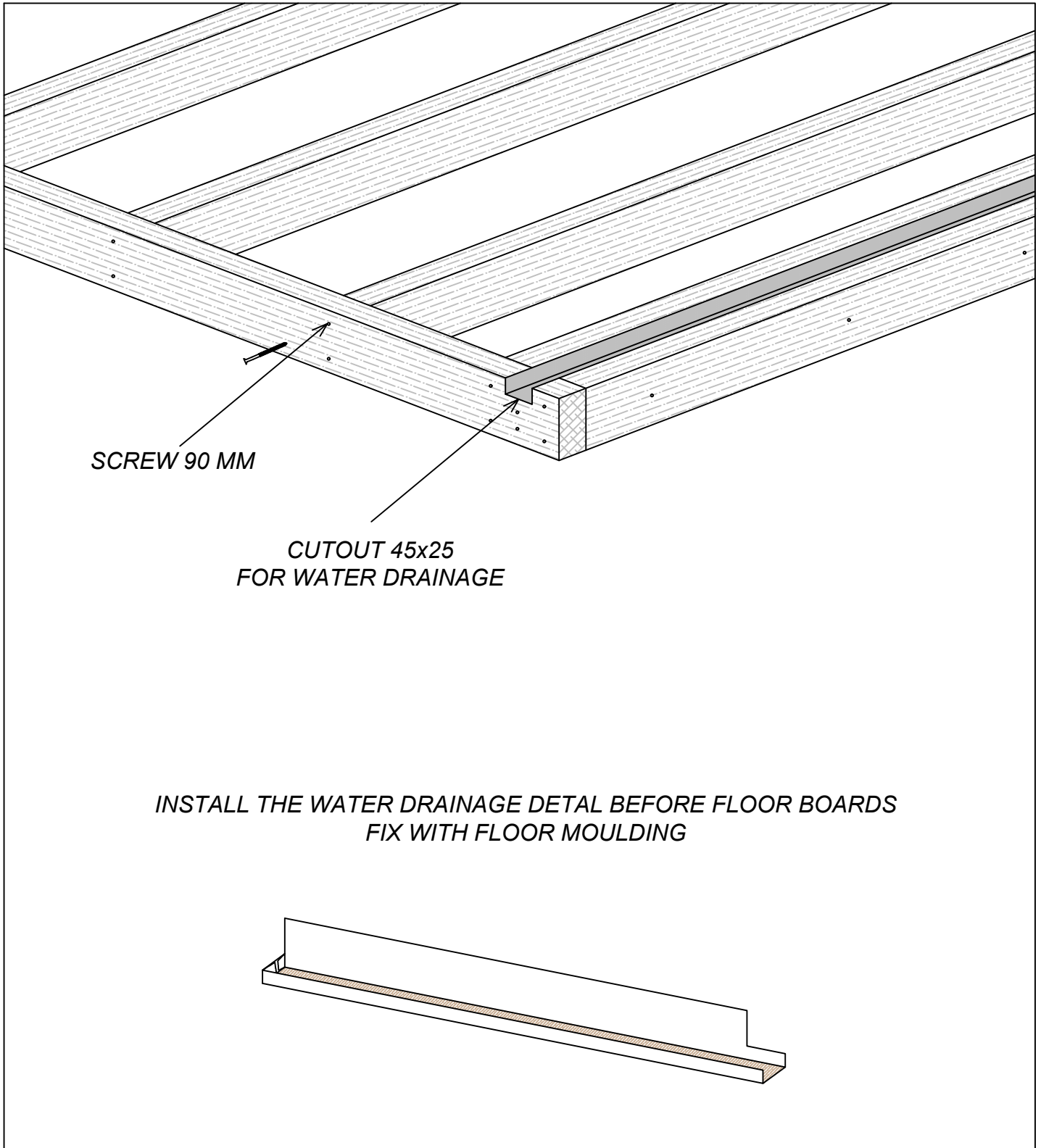
ADD DISTANCE BOARDS UNDER THE FLOOR BOARDS
FOR FLOOR SLOPE



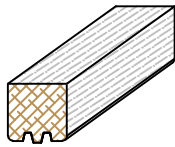
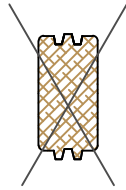
AR-3 CROSS-SECTION



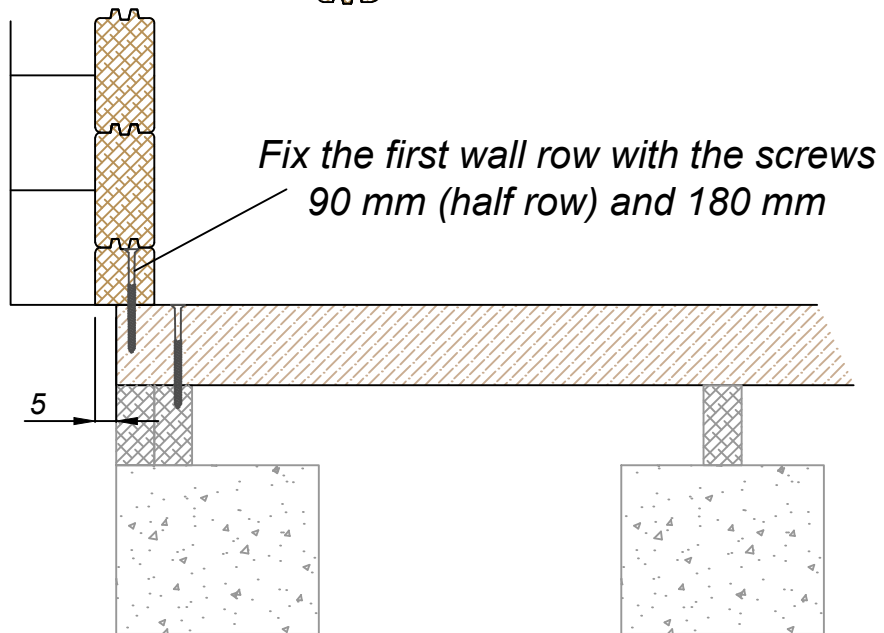
FLOOR FRAME



FIRST ROW



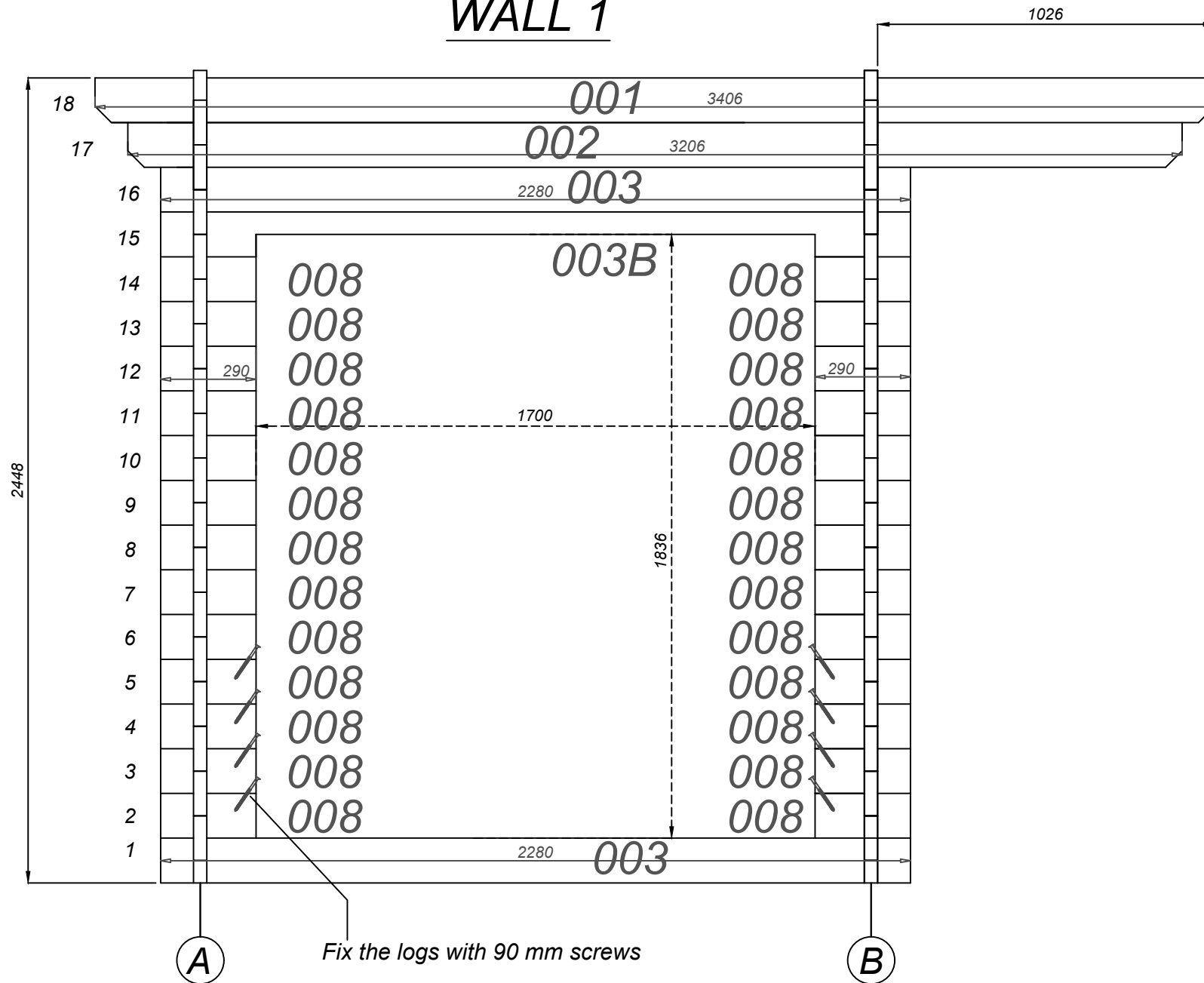
Use rubber hammer and hammer block



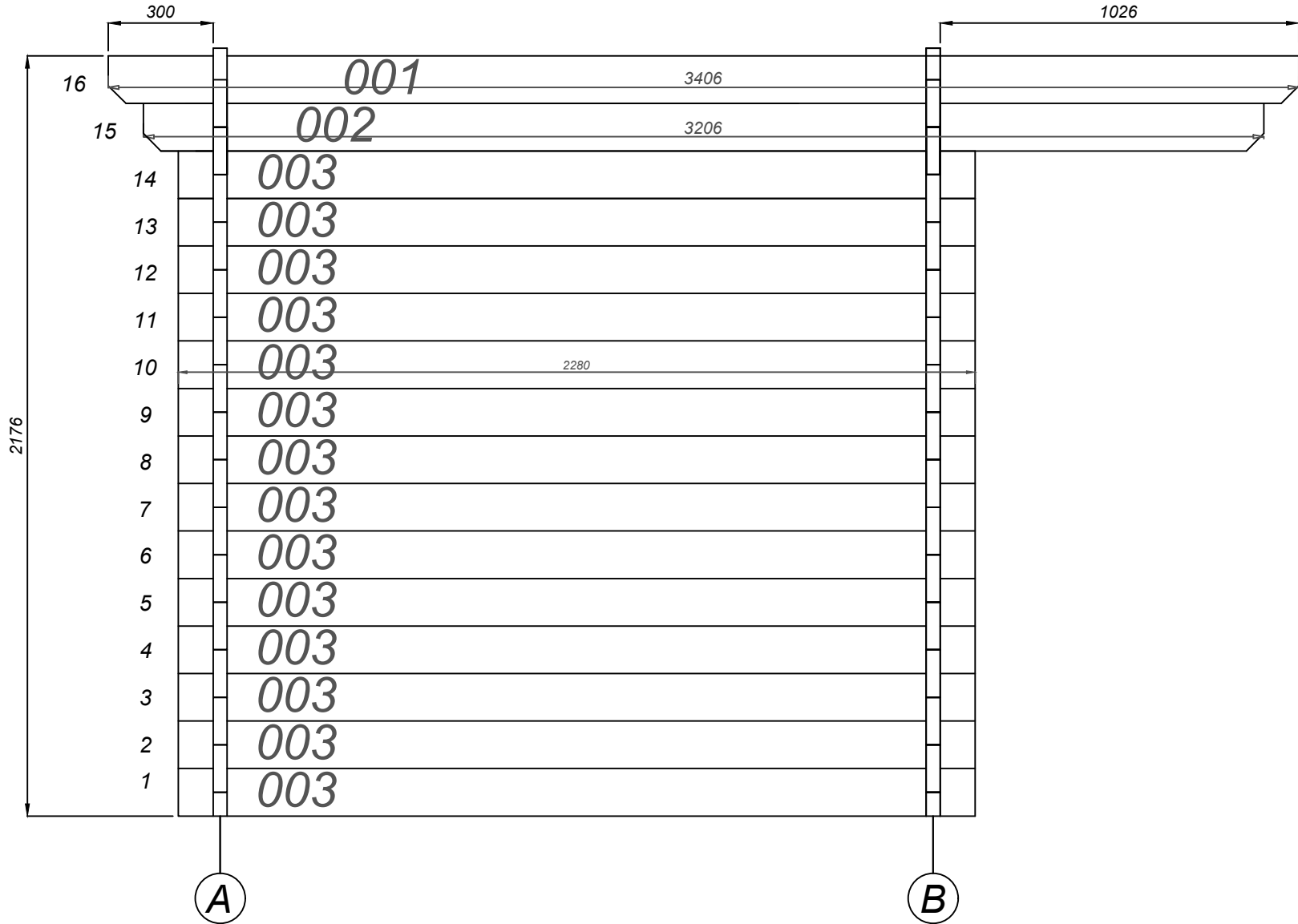
**IN EACH CONNECTION USE 90 MM STAINLESS SCREWS
(TO PROTECT THE BUILDING FOR WIND)**



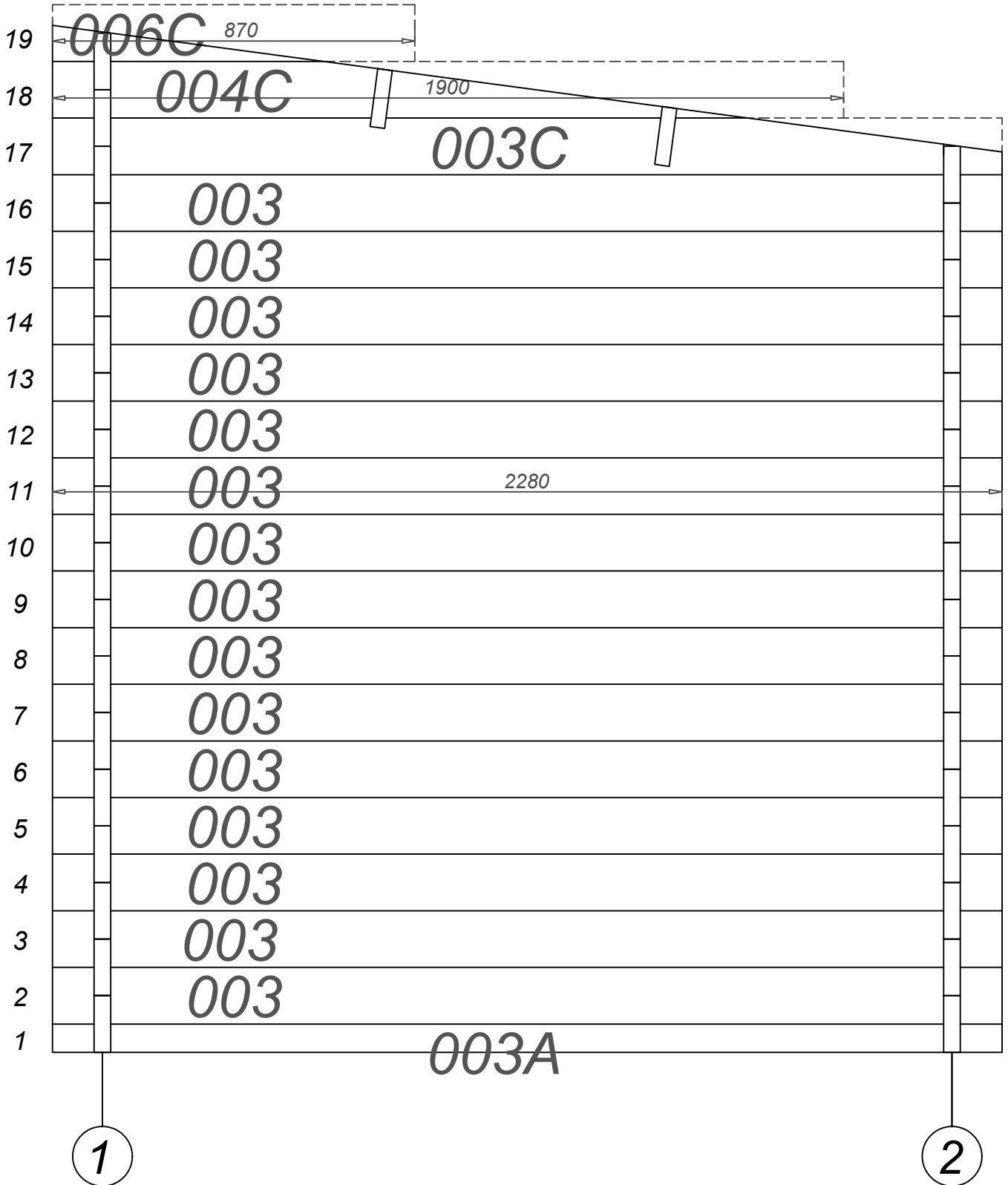
WALL 1



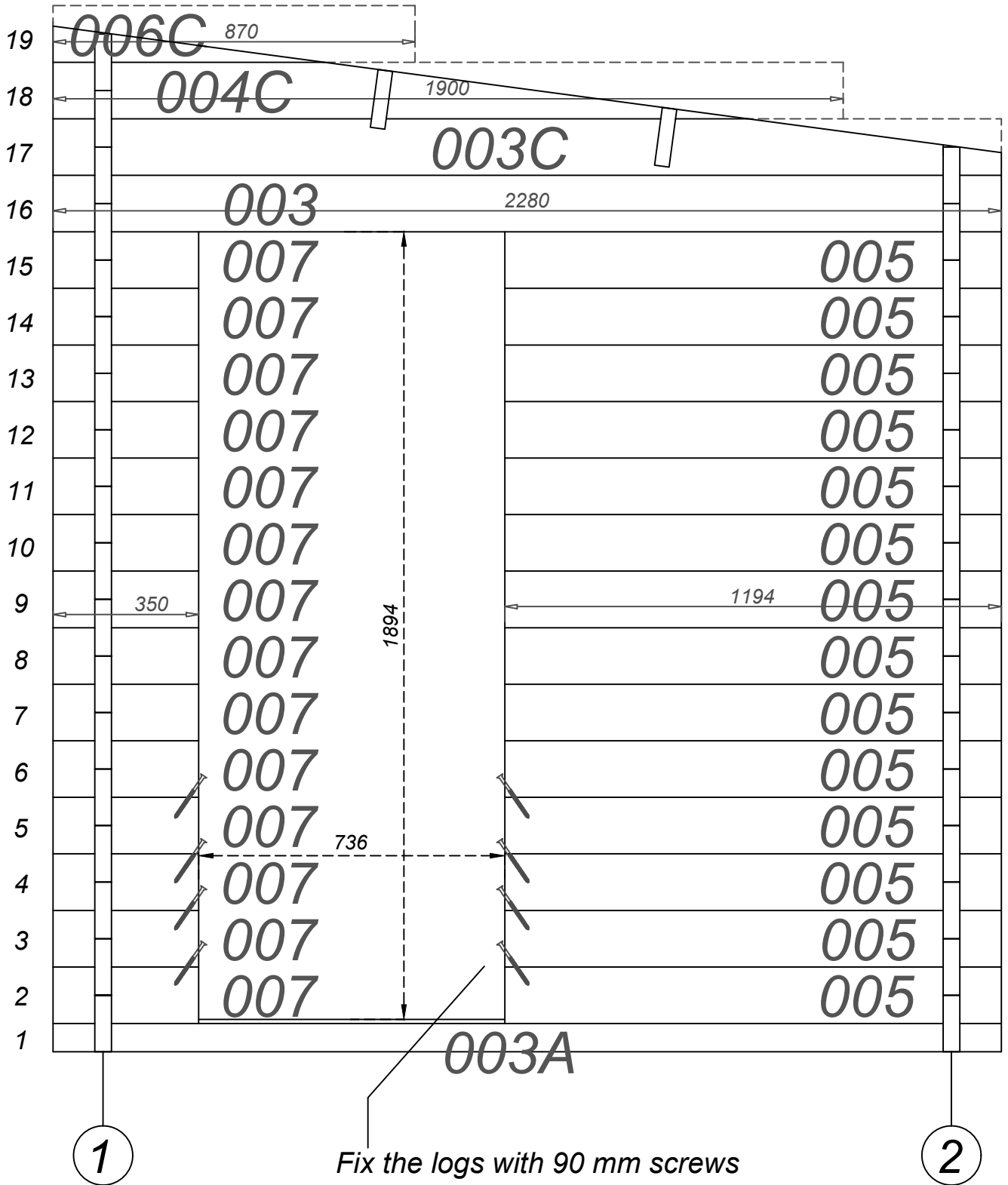
WALL 2



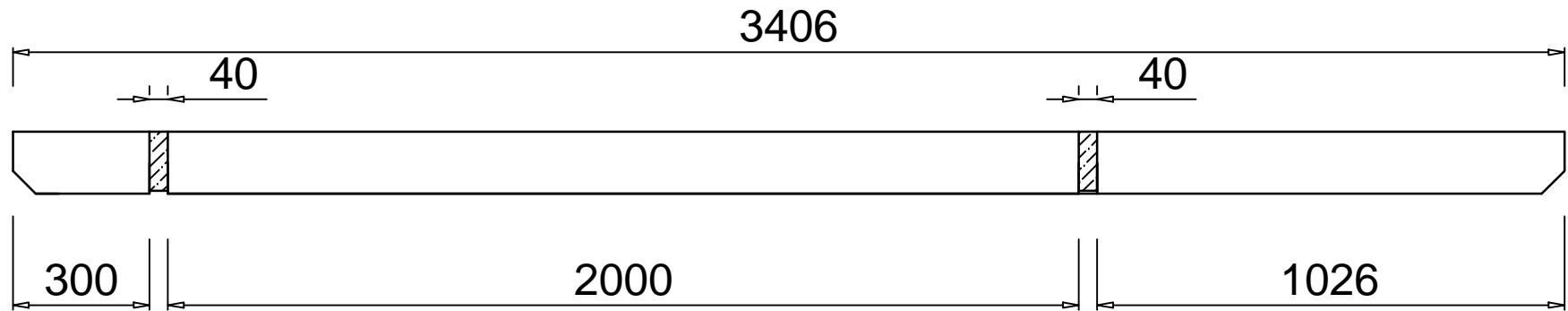
WALL A



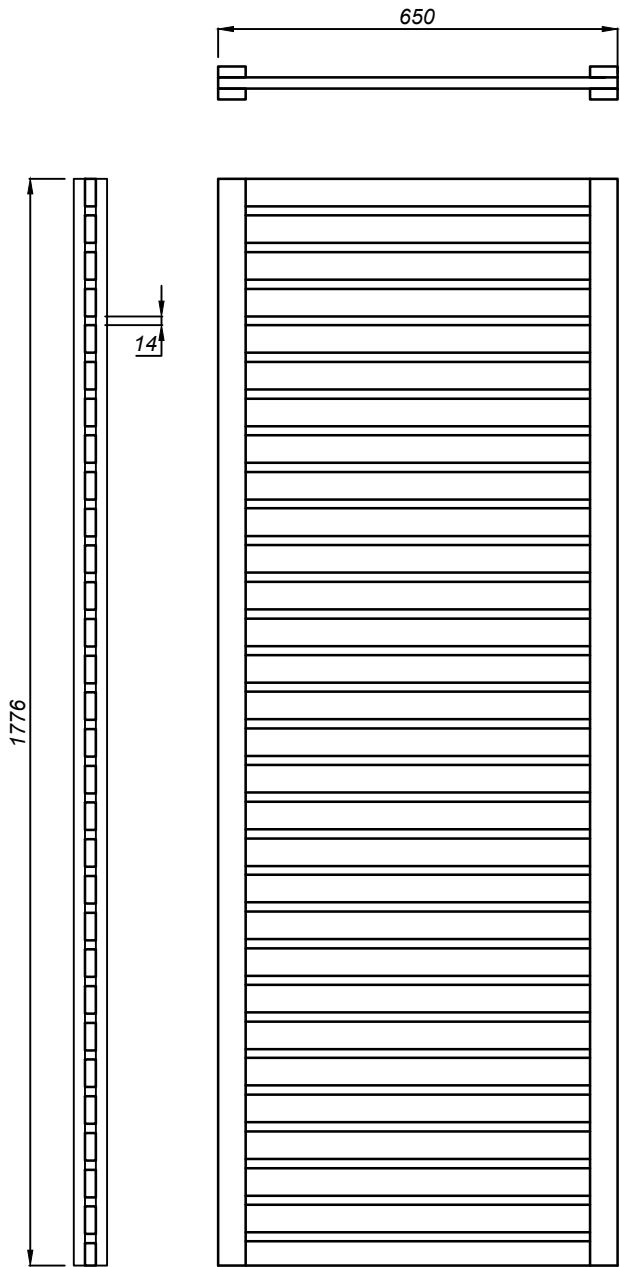
WALL B



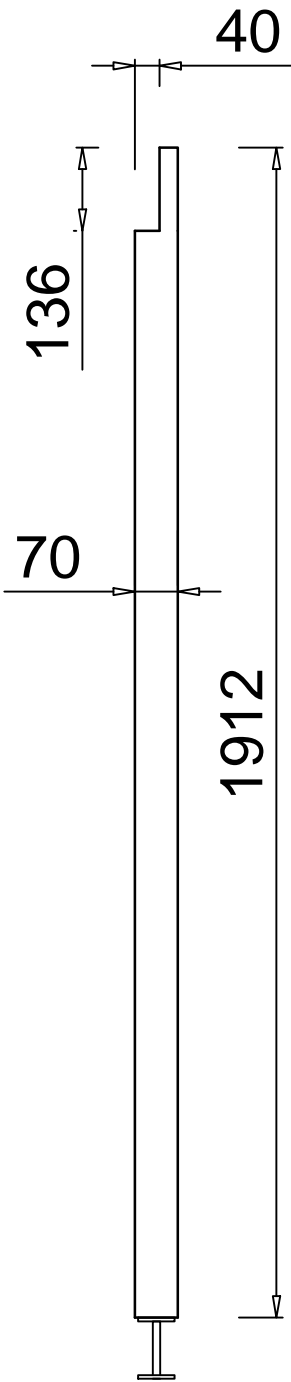
ROOF RAFTER SR-1 - 2 pcs



GRID WALL VS-1

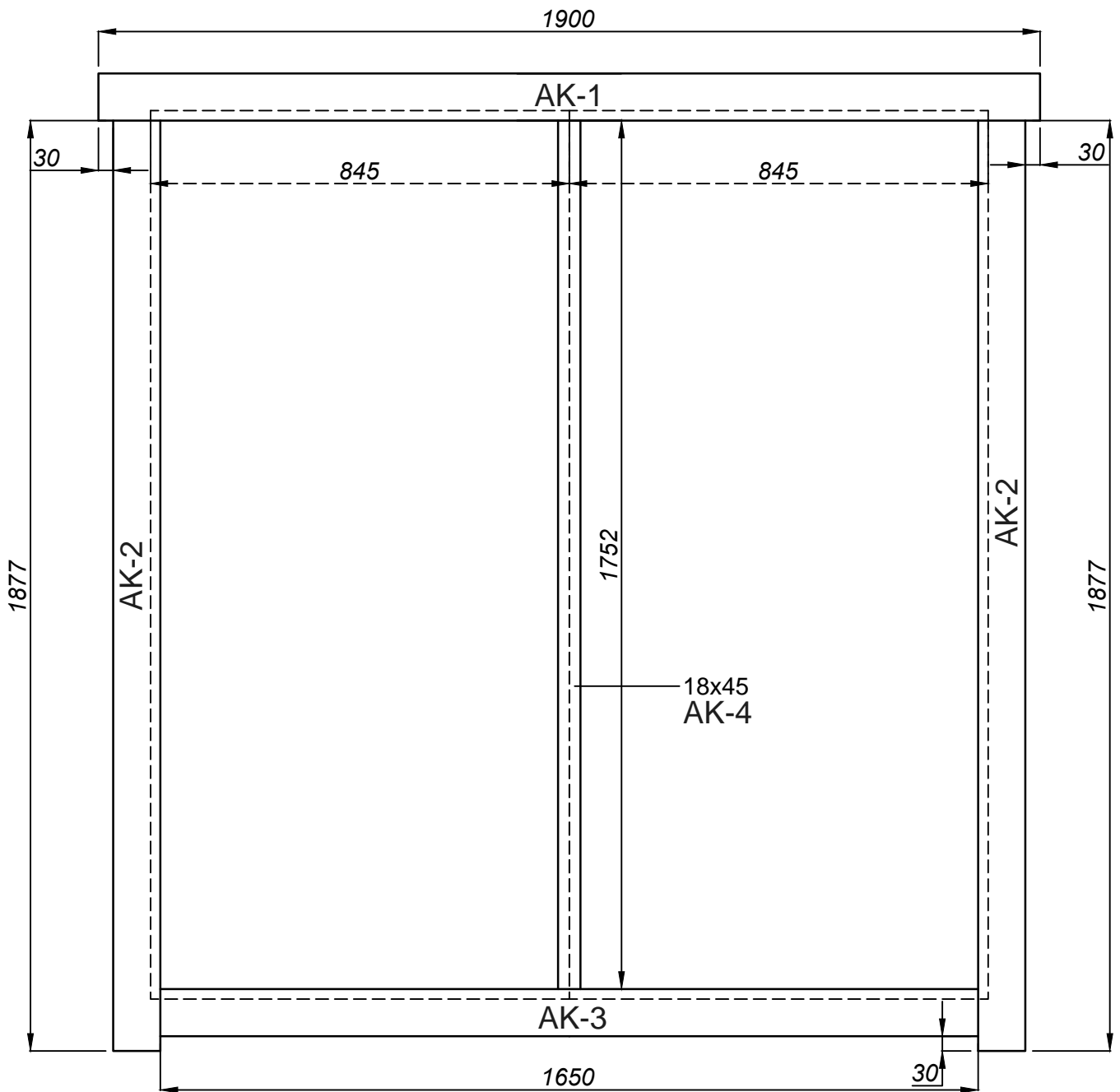


CORNER POST NP-1

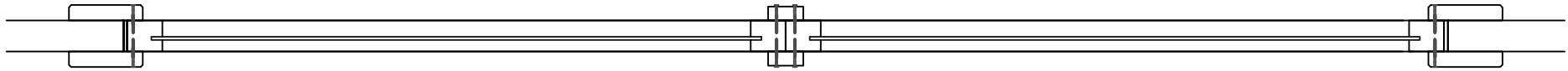


WINDOW MOULDINGS

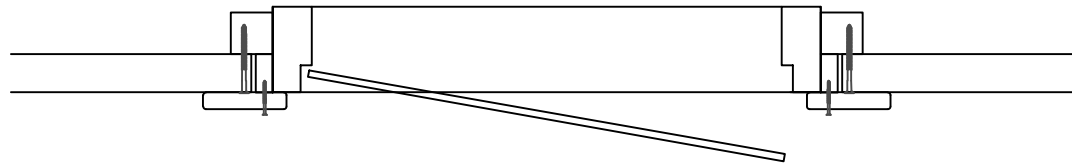
Inside and outside mouldings are with the same length
Fix the mouldings with a 40 mm screws (stainless)



FIX THE WINDOWS TO THE WALL WITH THE MOULDINGS,
USING THE 40 MM STAINLESS SCREWS

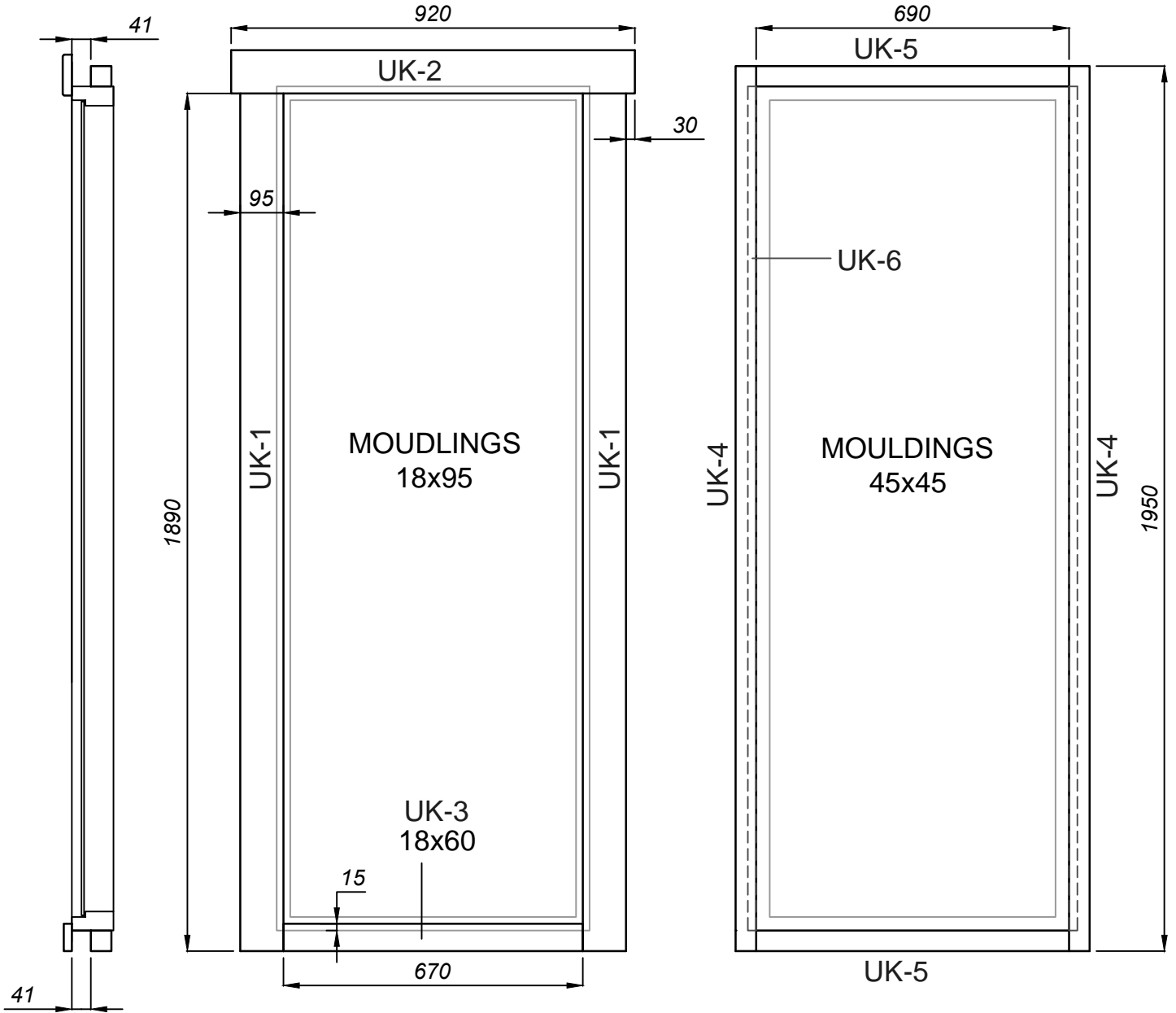
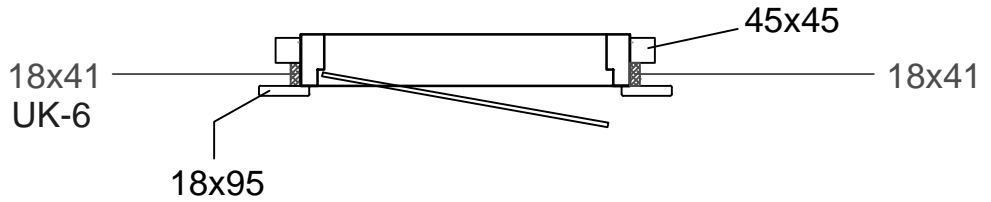


FIX THE DOOR TO THE WALL WITH THE 55 MM STAINLESS SCREWS
FIX THE MOULDINGS USING THE 40 MM STAINLESS SCREWS



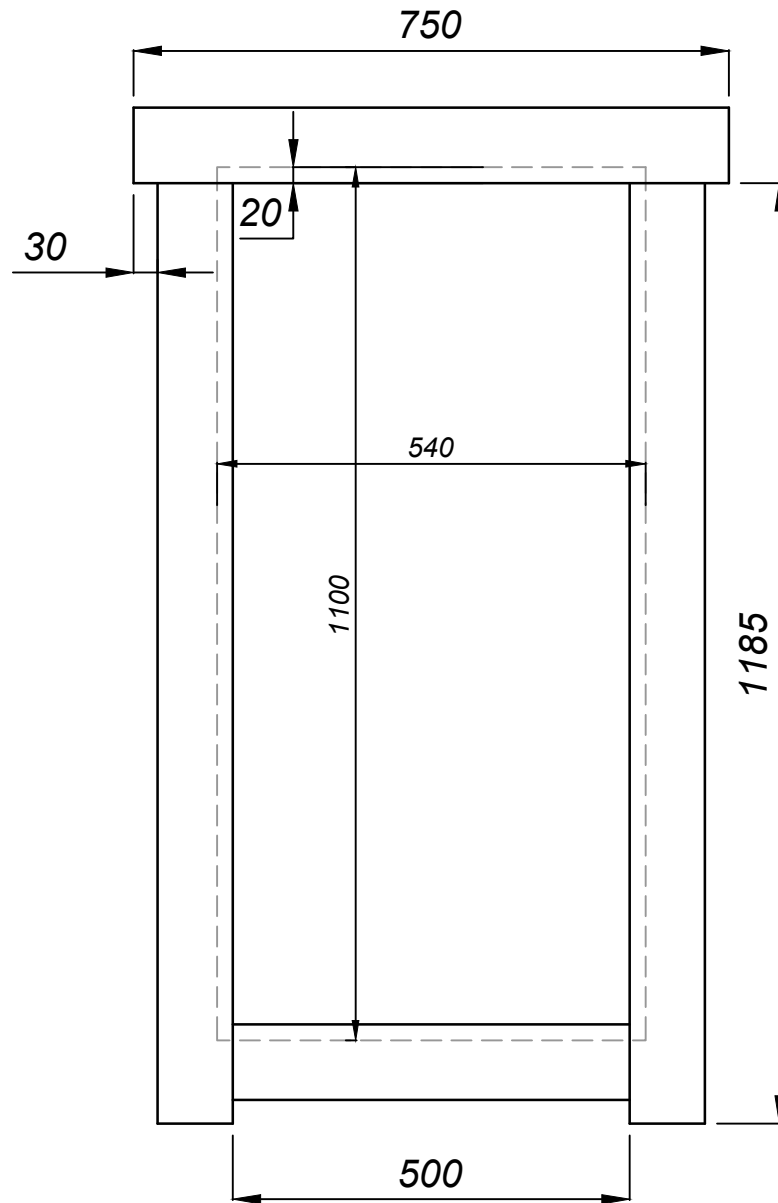
UK-9 DETAILS FOR
BETTER MOULDING
INSTALLATION

DOOR MOULDINGS (OUTSIDE DOOR)



OPTIONAL WINDOW 540x1100

MOULDINGS

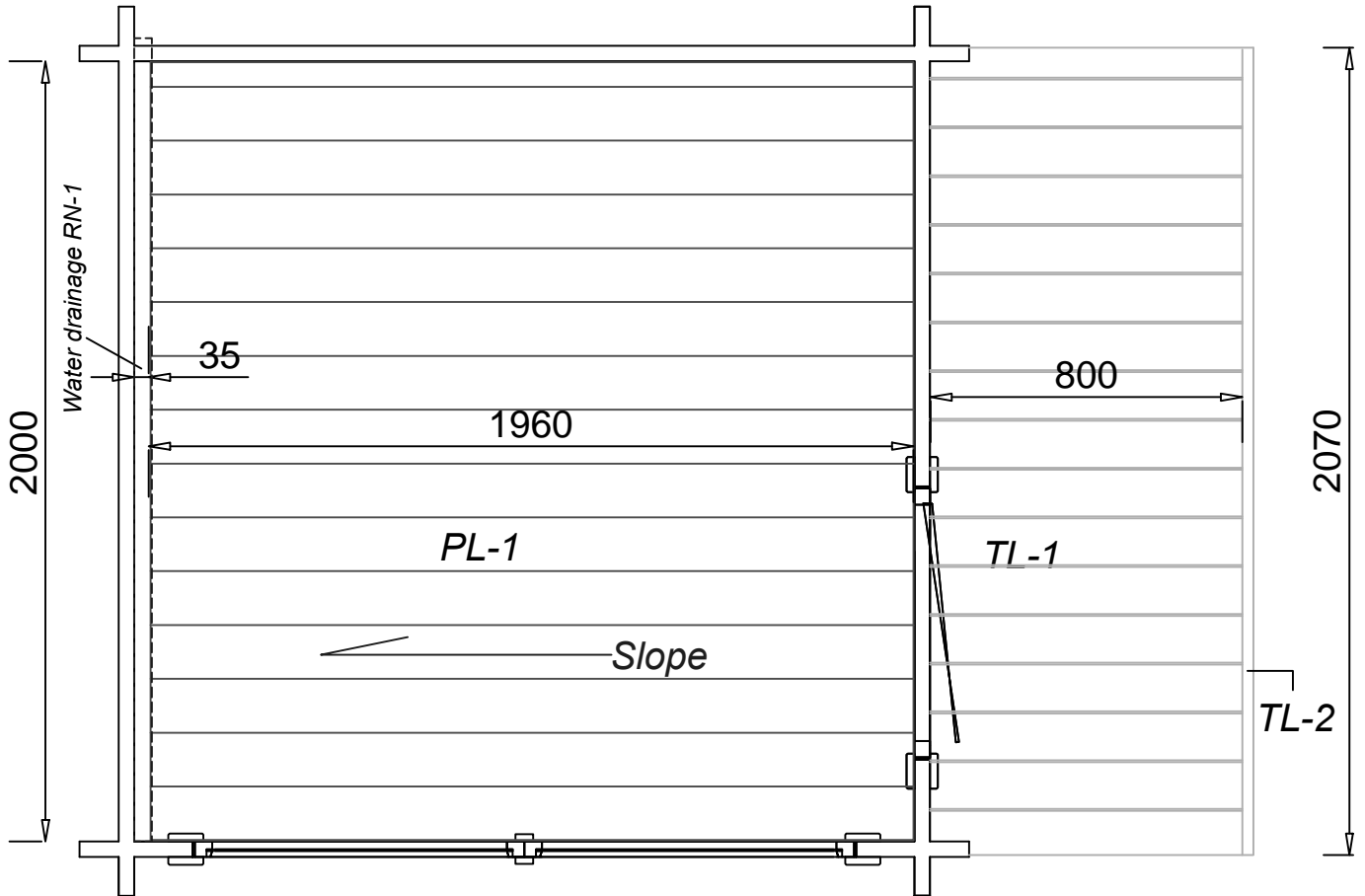


THERE IS NO HOLE IN THE WALL FOR EXTRA WINDOW
CUT THE HOLE AFTER FINISHING THE WALL INSTALLATION

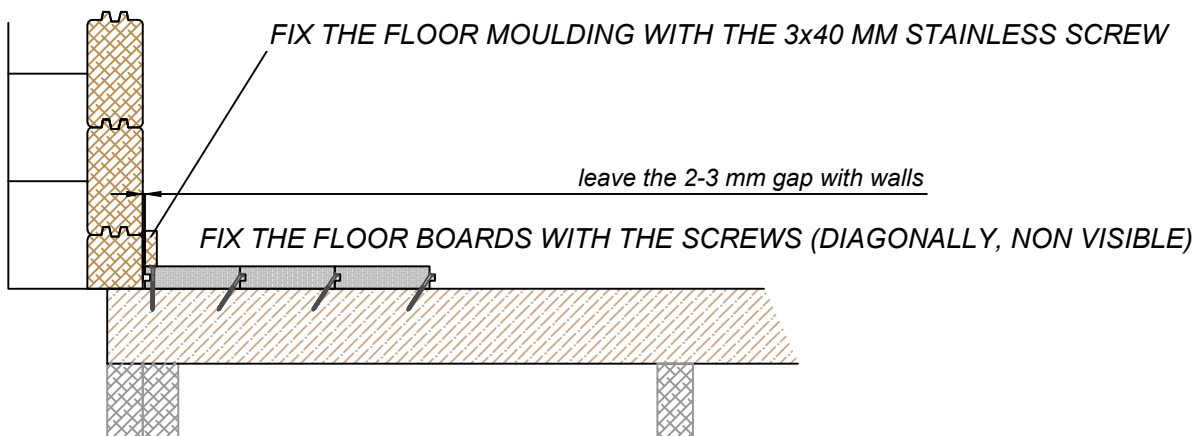
HOLE MEASURE 550x1140 MM

FIX THE WINDOW TO WALL WITH THE MOULDINGS

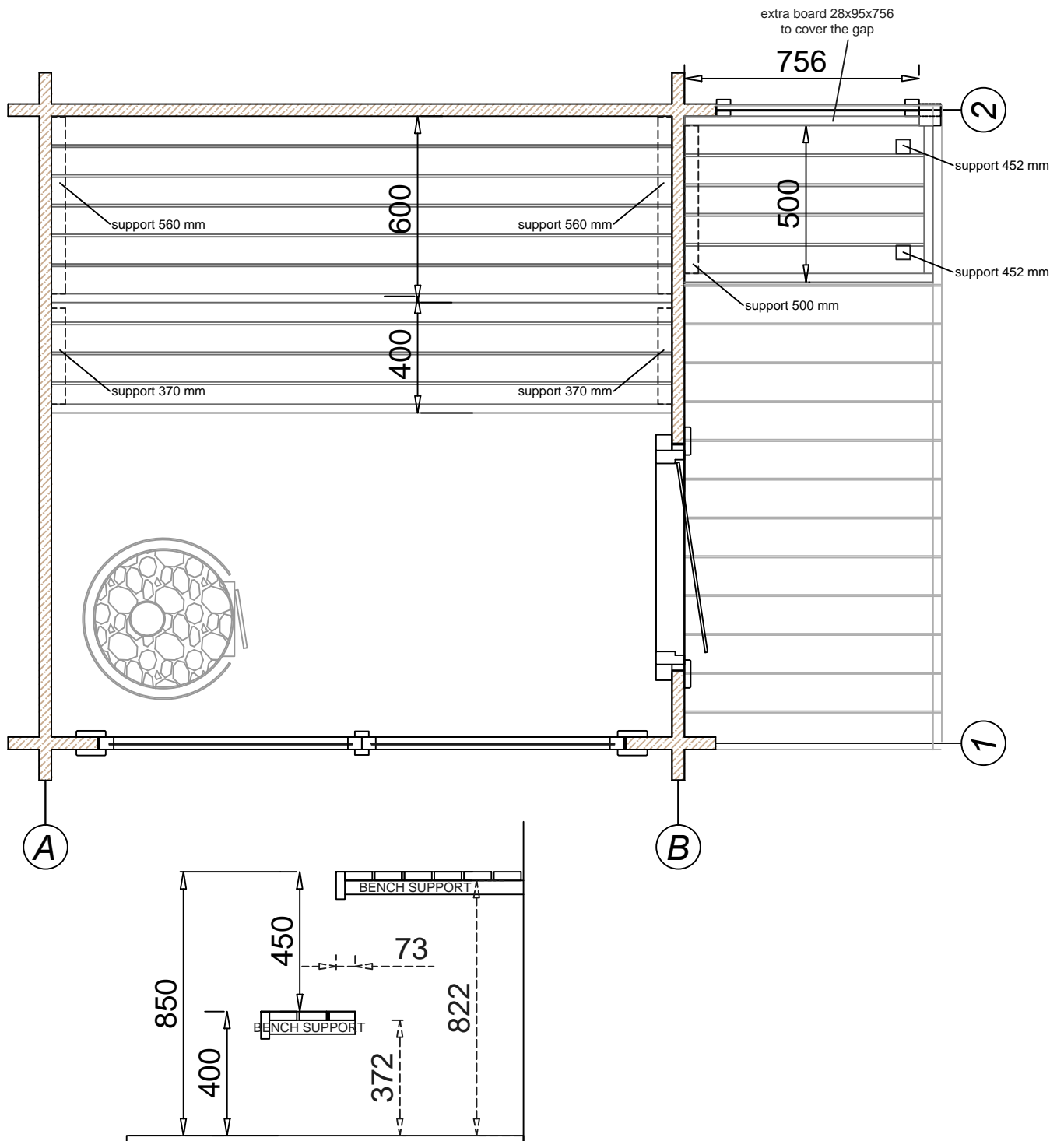
FLOOR BOARDS AND DECKING BOARDS



BEFORE THE FLOOR BOARD, INSTALL FLOOR SLOPE DETAILS



BENCH SET



1. FIRST FIX THE BENCH SUPPORTS TO THE WALL
2. THEN LIFT THE BENCHES ON TOP OF THEM
3. FIX THE BENCHES WITH THE 70 MM SCREWS TO THE WALLS AND SUPPORTS
4. USE VERTICAL SUPPORT TO SUPPORT THE BENCH FROM THE MIDDLE