




- Easy and intuitive operation
- Menu navigation in 18 languages
- Flat control panel with TFT-display
- Simple, quick installation
- Premium functions
- Made in Germany 

EMOTEC H

Innovative premium-class sauna control unit for dry & humid sauna operation.

Advanced sauna control system with compact control panel with colour display and a separate relay box. Thanks to the innovative navigation concept Emotec H allows easy and intuitive operation, all major functions can be reached and set within a few seconds.

Features and benefits:

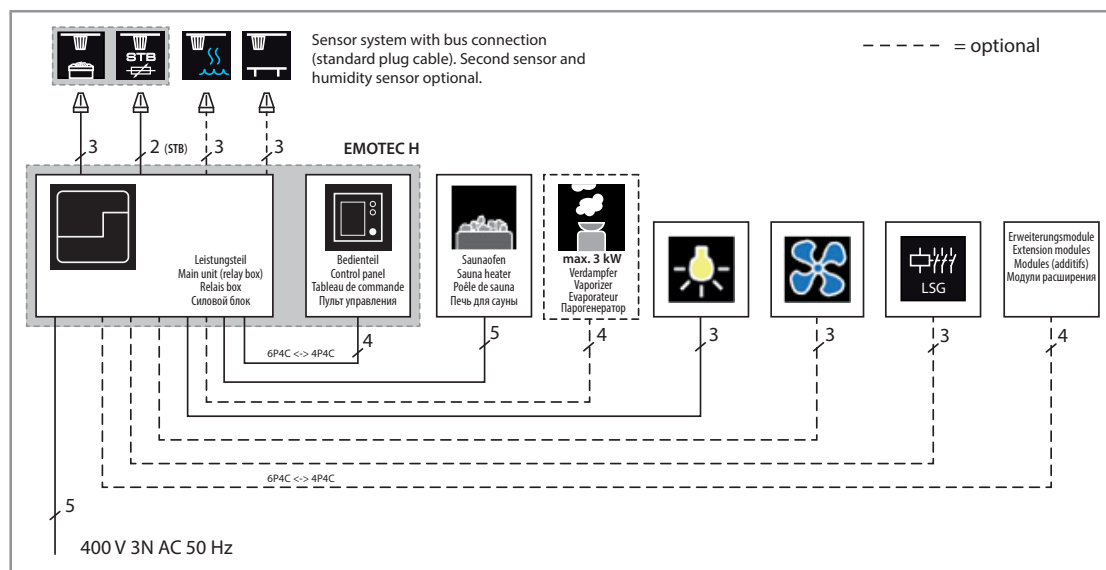
- Compact-size control panel with a large multicolour TFT display.
- Flush-mounted or surface-mounted installation (control panel)
- Intuitive navigation with icons and clear text function description.
- Menu navigation in 18 languages (DE, EN, FR, RU, ES, NL, IT, PL, SLO, FIN, TR, CZ, RO, BG, HU, HR, SK, DK).
- With a practical jog-dial knob you can quickly select any function and instantly make all necessary settings.
- Dry and humid sauna operation (with / without humidity sensor)
- Separate service level with pin-code protection.
- Child lock and a new innovative „hotel mode“ function
- Week timer with individual climate settings.
- Intelligent setup menu, clear text messaging (functions, errors).
- Software may be updated with a micro-SD card (own contact details incl. own logo may be installed).
- Numerous extension modules optionally available (e.g. remote switch, colour light, sound, network, second display, usw.).
- Potential-free contact (output).
- The distance between the control panel and the main relay box may be easily extended to at least 100 m. 5 m connection cable with standard plugs is included.
- Simple installation and service-friendly design. All components (control panel, sensors and extensions are connected using standard plug cables) The relay box allows cable connections from the rear and from the bottom side.
- High safety standards, complies with the latest EU norms.



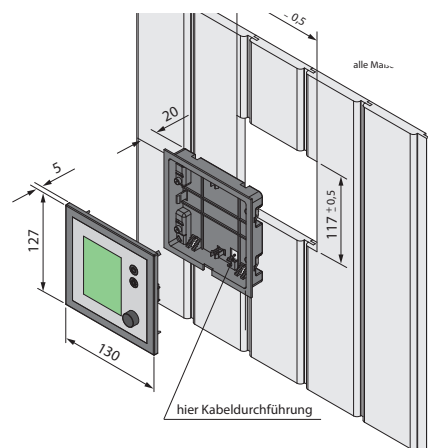
Relay box
two-part front cover facilitates servicing. Cable connections from the rear and from the bottom possible.

Control panel
Flush-mounted and surface-mounted installation. Quick selection between dry or humid mode.

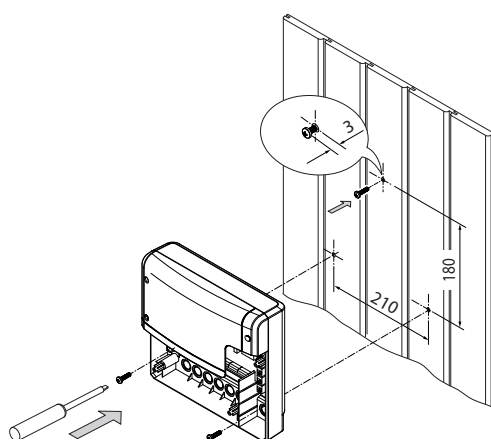
Connection diagram



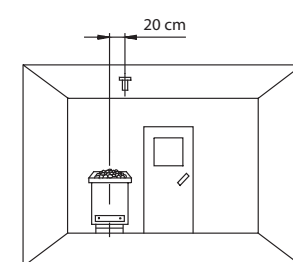
Control panel installation



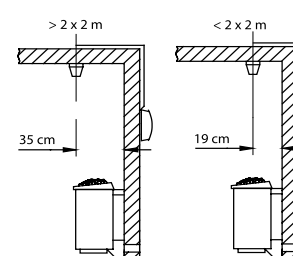
Relay box installation



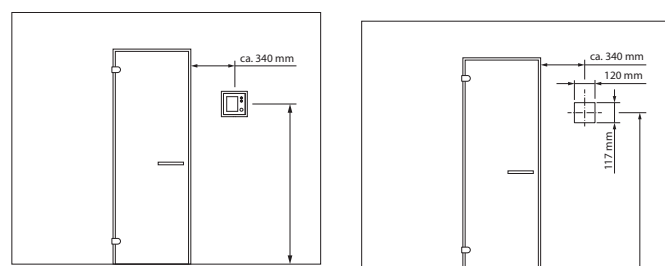
Sensor installation



by sauna cabins:



Installation on the sauna cabin front wall:



Specifications

Electrical connection	Power output	Temperature control range	Humidity control	Heating time limitation	Time pre-selection	Cabin light output	Fan output	Sensor system	Control panel (HWD)	Relay box (HWD)
400V 3N AC 50 Hz	9,0 kW resistive load (extension possible), 3 kW for vaporizer in humid sauna mode.	30° - 110°C	Proportional to time (0 - 100%) or with humidity sensor (rel. %)	6 h / 12 h / unlimited	24 h real time or week timer	230 V / max. 100 W, dimmable. Resistive, capacitive, inductive load	230 V / max. 100 W, adjustable speed	Digital, inc. 5 m cable. 2nd sensor optional	127 x 130 x 25 mm flush-mounting	270 x 300 x 100 mm wall-mounting