



# EOS 46.U Compact

## Sauna heater for domestic and commercial saunas. Behind-the-bench model.

Special design sauna heater for concealed, behind-the-bench installation. For the Finnish (dry) sauna. Extra slim construction with only 20 cm installation depth! Includes protective safety grill and water infusion kit (infusion along the full heater width). 6 m connection silicone cable included.

### Your advantages:

- Very slim - only 20 cm installation depth.
- Space-saving design with high safety in use.
- High safety thanks to the hidden installation.
- Includes safety grill (prevents objects from falling down on the heater)
- Includes water infusion kit (funnel with connection hose).
- Includes 6 m silicone coated connection cable.
- Made in Germany quality from EOS.

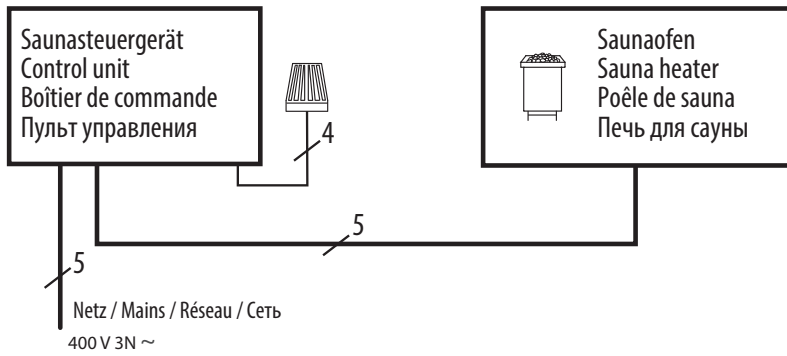
### Specifications:

Outer shell:	Galvanized steel
Inner shell:	Galvanized steel
Top:	Stainless steel
Rock store:	Stainless steel, with infusion pipe along full width
Terminal box:	Galvanized steel, integrated in side wall
Power range:	6,0 and 7,5 kW
Power supply:	400 V 3N ~ 50 Hz
Dimensions (H x W x D):	870 x 920 x 200 mm
Rock store volume:	approx. 10 kg (Sauna stones optionally available)
Installation:	Floor-standing, behind-the-bench (hidden) installation

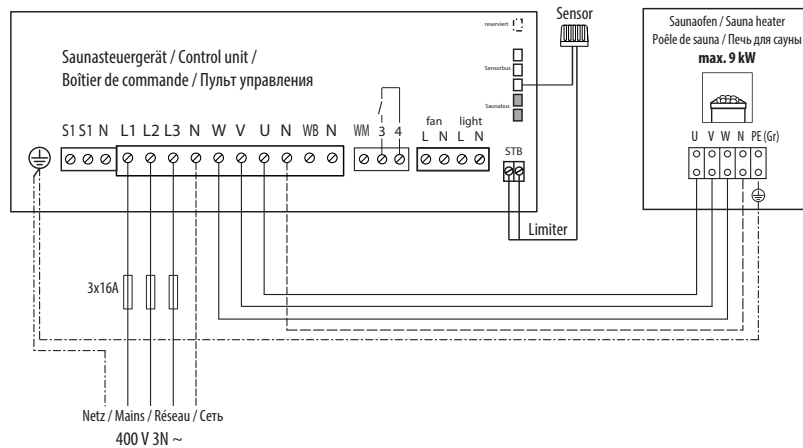


## Connection diagram

6,0 + 7,5 kW



## Connection diagram



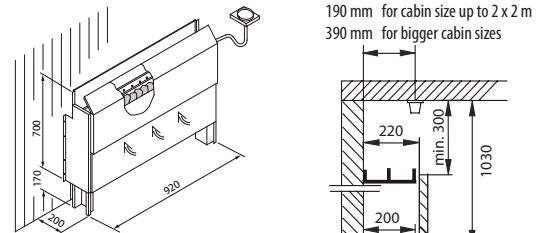
## Technical specifications

Power output	Electrical connection	Connection mains - control unit	Connection control unit - heater	Connection mains - LSG	Connection LSG - heater	Connection control unit - LSG unit
6,0 kW	400 V 3N ~ 50 Hz	5 x 2,5 mm <sup>2</sup>	5 x 1,5 mm <sup>2</sup>	--	--	--
7,5 kW						

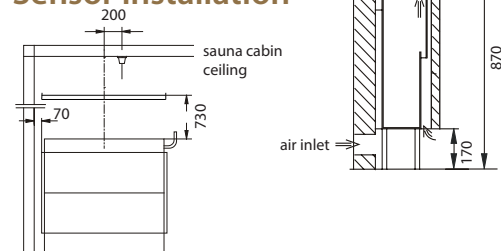
All cross sections of a line are minimum diameters in mm<sup>2</sup> (copper wire).

Item no.	Power output	Electrical connection	Fuse protection control unit	Fuse protection LSG unit	Dimensions H/W/D, in cm	For sauna cabin size	Min. size of air inlet and outlet	Weight without rocks	Stone filling	Power extension required
94 6707	6,0 kW	400 V 3N ~ 50 Hz	3 x 16 A	--	87 / 92 / 20	6 - 8 m <sup>3</sup>	35 x 4 cm	19,0 kg	approx. 10 kg	no
94 4250	7,5 kW					7 - 10 m <sup>3</sup>	35 x 5 cm	20,0 kg		

## Minimum clearances



## Sensor installation



## Suitable control units

### Model

EOS Econ D series  
EOS Compact D series  
EOS EmoTec D series  
EOS EmoStyle D / Hi series  
EOS EmoTouch 3 series

## Spare parts

Description	Item no.
Heating element 1500 W 230V	2001 0894
Wooden funnel	2000 8118